

TetrikPod-1 | Datasheet

Product Code: TPOD-GA001



Build Smarter

The TetrikPod-1 delivers a scalable, cost-effective foundation for telecoms, EV charging, ANPR, street furniture, and lighting.

Featuring a polyethylene moulded base, lightweight aluminium tray and top plate, it enables quick installation, reduced logistics and labour costs, and a 100% recyclable solution using concrete mix as required, on-site installation.

Specifications

Length	400mm (15.75")
Width	400mm (15.75")
Height	410mm (16.14")
Weight (Mass Empty)	7 kg (15.43 lb)
Weight (Full Mass)	72 kg (158.7 lb)



No Lifting Machinery Required

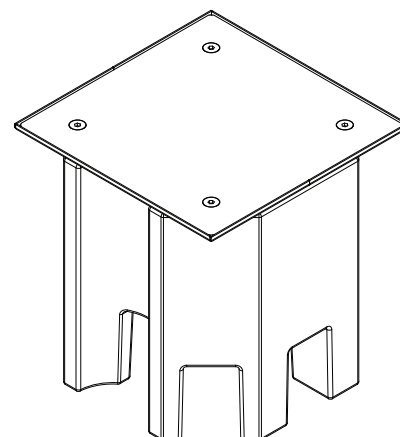
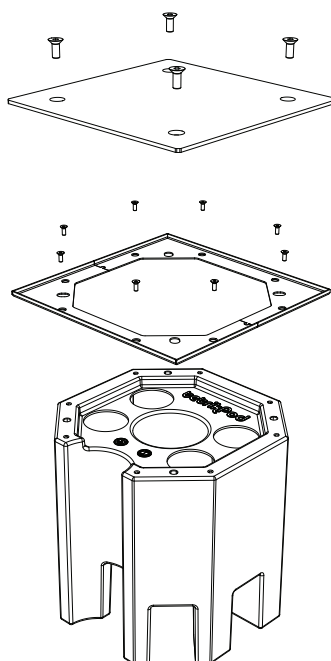
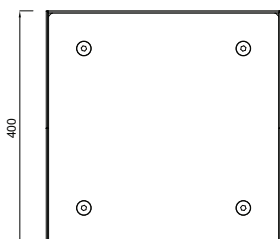
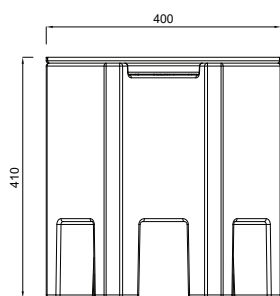


Less Labour & Simplified Logistics



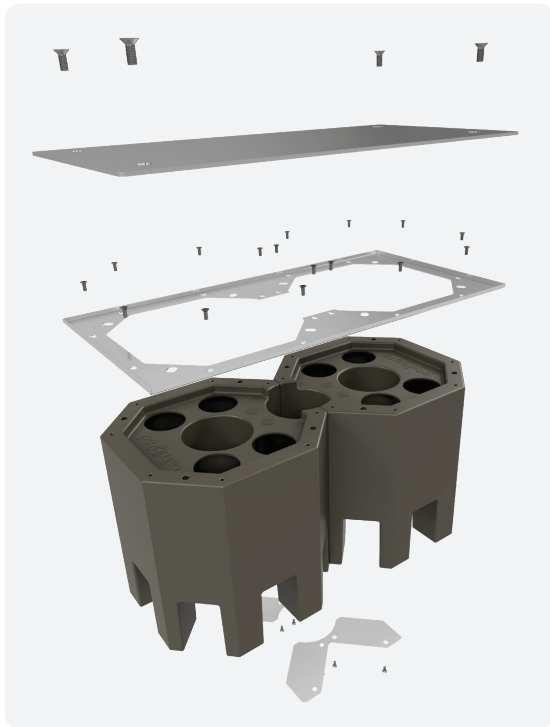
Overhead & ESG Friendly

Line Drawings



TetrikPod-2 | Datasheet

Product Code: TPOD-GA002



Build Smarter

The TetrikPod-2 delivers a scalable, cost-effective foundation for telecoms, EV charging, ANPR, street furniture, and lighting.

Featuring a polyethylene moulded base, lightweight aluminium tray and top plate, it enables quick installation, reduced logistics and labour costs, and a 100% recyclable solution using concrete mix as required, on-site installation.

Specifications

Length	800mm (31.5")
Width	400mm (15.75")
Height	410mm (16.14")
Weight (Mass Empty)	14.5 kg (29 lb)
Weight (Full Mass)	145 kg (319 lb)



No Lifting Machinery Required

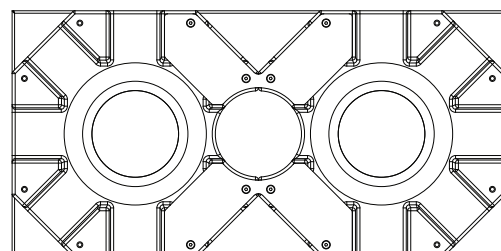
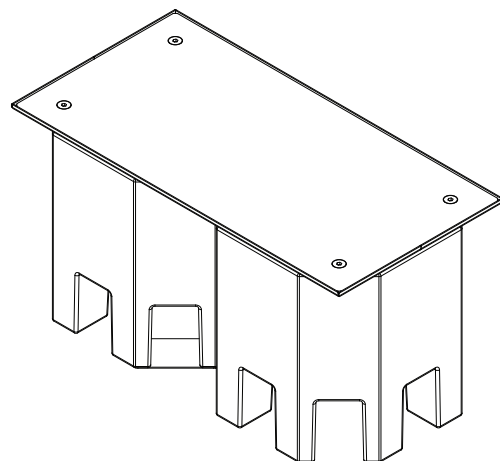
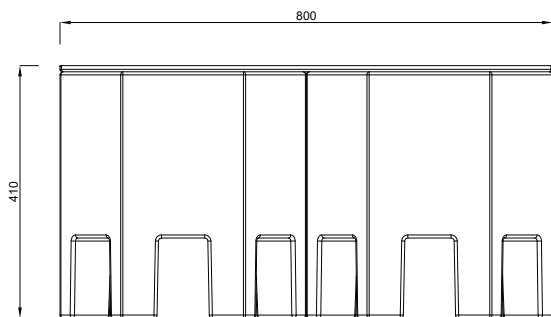


Less Labour & Simplified Logistics



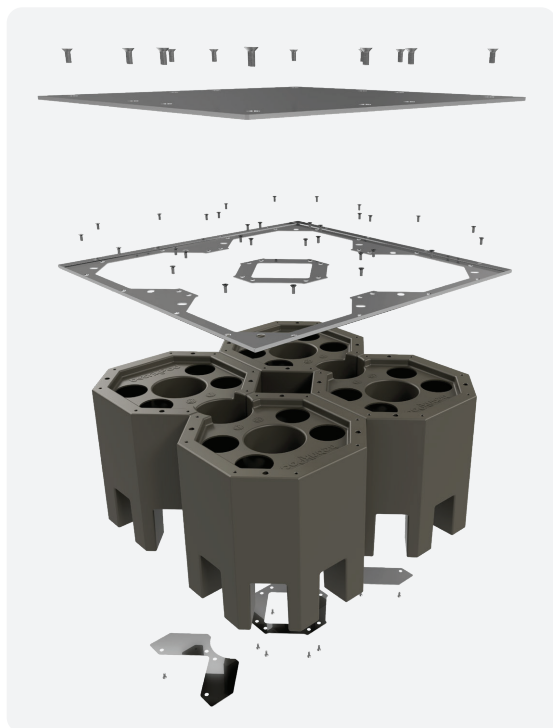
Overhead & ESG Friendly

Line Drawings



TetrikPod-4 | Datasheet

Product Code: TPOD-GA004



Build Smarter

The TetrikPod-4 delivers a scalable, cost-effective foundation for telecoms, EV charging, ANPR, street furniture, and lighting.

Featuring a polyethylene moulded base, lightweight aluminium tray and top plate, it enables quick installation, reduced logistics and labour costs, and a 100% recyclable solution using concrete mix as required, on-site installation.

Specifications

Length	800mm (31.5")
Width	800mm (31.5")
Height	410mm (16.14")
Weight (Mass Empty)	29 kg (64 lb)
Weight (Full Mass)	290 kg (638 lb)



No Lifting
Machinery Required

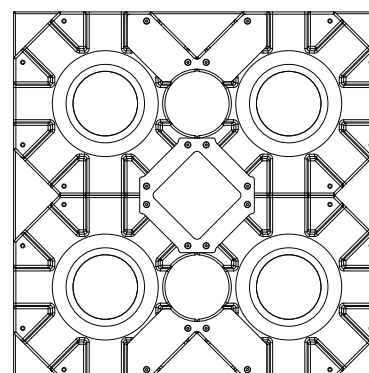
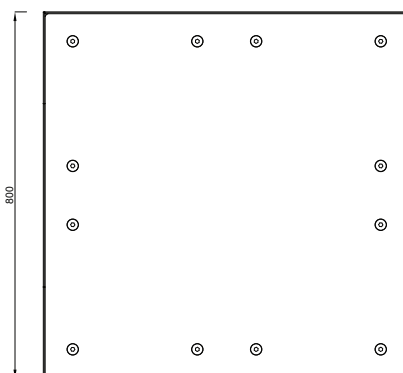
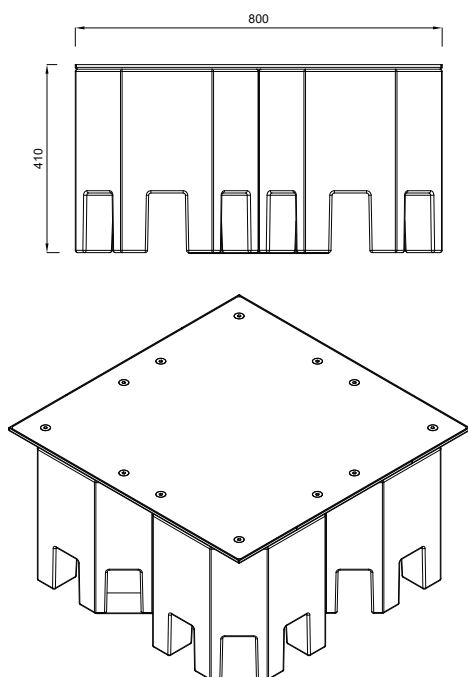


Less Labour &
Simplified Logistics



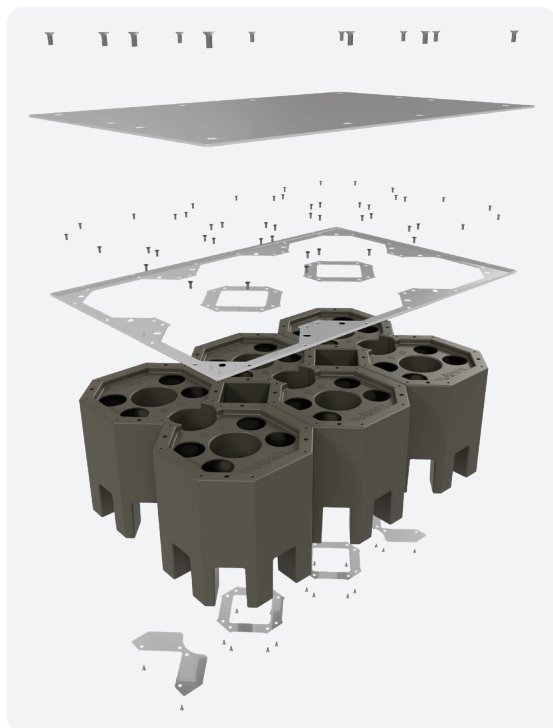
Overhead &
ESG Friendly

Line Drawings



TetrikPod-6 | Datasheet

Product Code: TPOD-GA006



Build Smarter

The TetrikPod-6 delivers a scalable, cost-effective foundation for telecoms, EV charging, ANPR, street furniture, and lighting.

Featuring a polyethylene moulded base, lightweight aluminium tray and top plate, it enables quick installation, reduced logistics and labour costs, and a 100% recyclable solution using concrete mix as required, on-site installation.

Specifications

Length	1200mm (47.2")
Width	800mm (31.5")
Height	410mm (16.14")
Weight (Mass Empty)	45 kg (100 lb)
Weight (Full Mass)	465 kg (1023 lb)



No Lifting Machinery Required



Less Labour & Simplified Logistics



Overhead & ESG Friendly

Line Drawings

